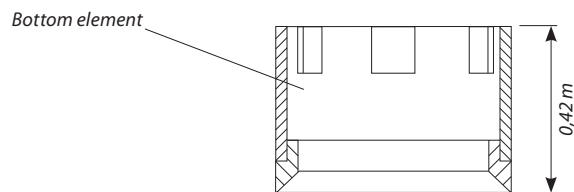
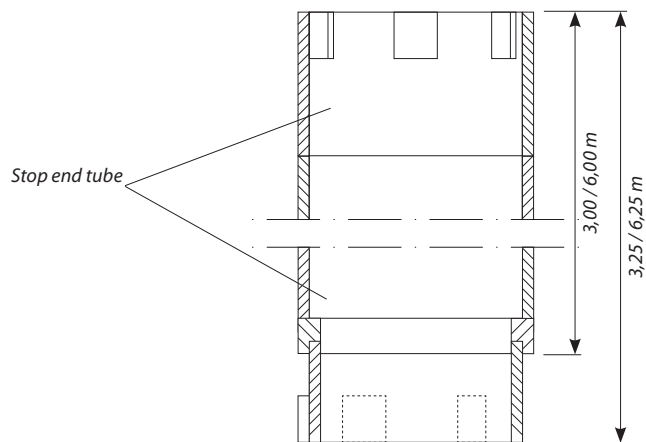
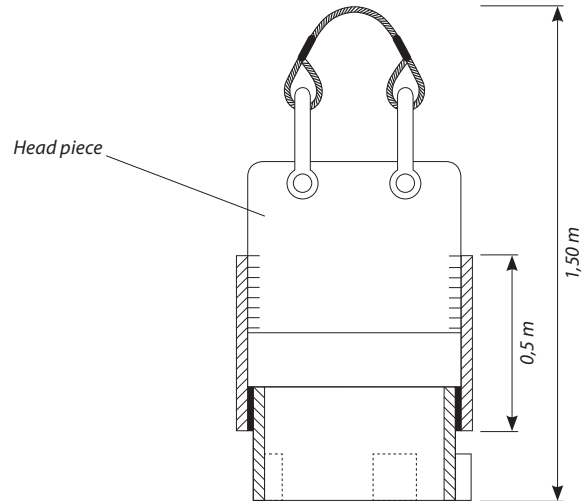


STEIN - Round stop end system

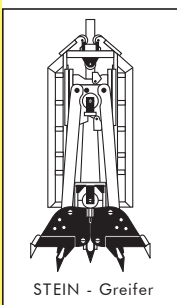


Consisting of a head piece, round stop end tubes and a bottom element.

The round stop end elements are used as form-work to construct a well-defined junction between neighbouring diaphragm wall panels.



The round stop end tubes are constructed for all the standard excavation widths. The largest round stop end tube is available for a 1000 mm excavation width. Each intermediate element is equipped with a socket and a tappet. The different elements are connected by means of a bayonet coupling and secured by a radial inserted clamping pin. The intermediate elements are available in different lengths.



MFS Maschinenfabrik GmbH & Co KG

Production

Phone + 49 (0) 4421 1434 0
 Fax + 49 (0) 4421 3034 81
 E-mail info@mfs-mafa.de
 Address Langeoogstr. 13
 26384 Wilhelmshaven | Germany

Sale

Phone + 49 (0) 2323 9266 0
 Fax + 49 (0) 2323 9266 25
 E-mail kendlik@stein-ht.de
 Address Schnittstr. 6
 44653 Herne | Germany

Head piece Ø [mm]:	508	609,6	812	1016
Length [mm]	500	500	500	500
Abschalrohr Ø [mm]				
Wall thickness [mm]	12,5	14,2	14,2	14,2
Length 3 m [kg]	550	740	980	1235
Length 6 m [kg]	1010	1370	1820	2295
Clamping pin Ø [mm]:	20	20	20	20
Total weight [kg]	400	450	520	600
Bottom element				
Length [mm]	420	420	420	420
Weight [kg]	80	110	140	170