

STEIN-Diaphragm-wall-grab SK 280



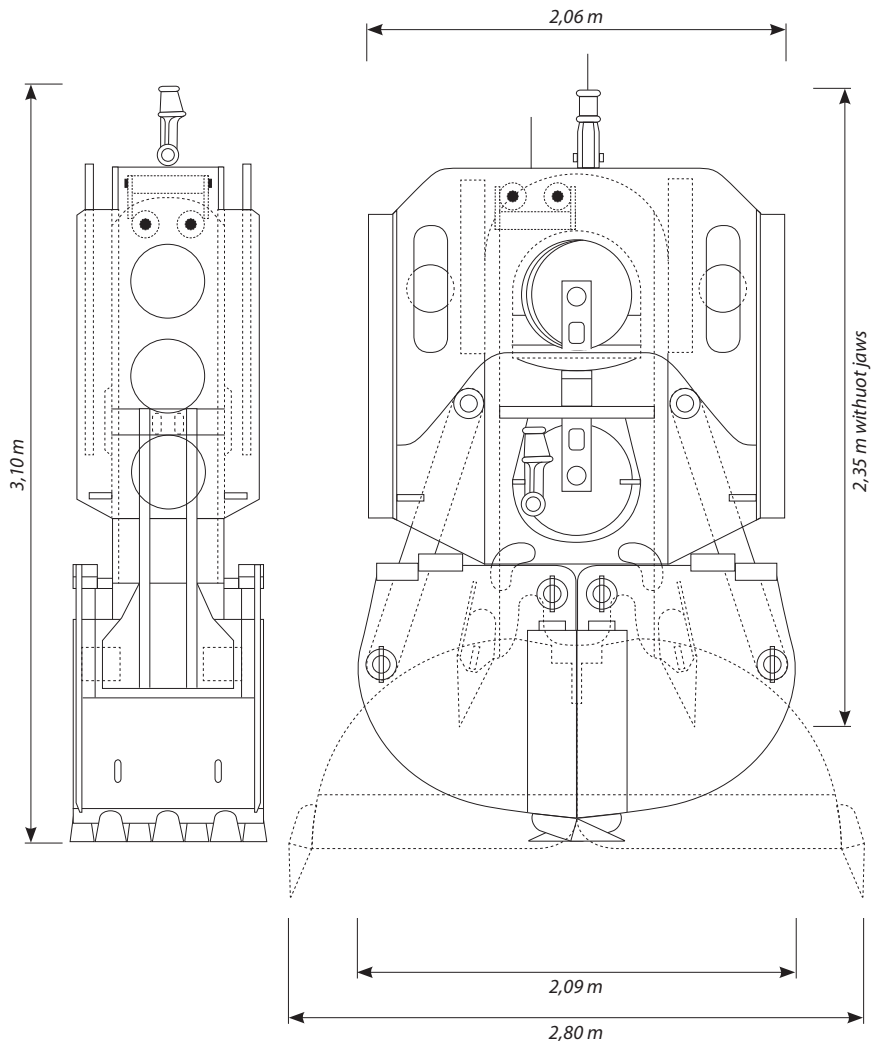
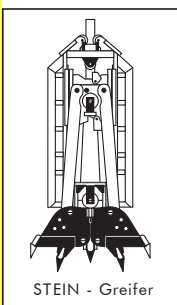
for the wall thickness 800 / 1000 / 1200 / 1500 mm

with wire-rope-pulleys \varnothing 500 mm for wire-rope \varnothing 24 - 28 mm
two double sheaves

The diaphragm wall grab is low in maintenance and is subjected to the safety regulation VCB 9a for handling of loads.

The cutting edges of the grab jaws are made of Hardox steel 450 and were especially hardened. Easy mounting of the grab jaws for excavation widths 800/1000/1200/1500 mm. All the grab teeth as well as all the wire rope pulleys are quickly exchangeable due to their construction as ready to use components.

Paintwork: aluminium coloured rust protection coating.



MFS Maschinenfabrik GmbH & Co KG

Production

Phone + 49 (0) 4421 1434 0
 Fax + 49 (0) 4421 3034 81
 E-mail info@mfs-mafa.de
 Address Langeoogstr. 13
 26384 Wilhelmshaven | Germany

Sale

Phone + 49 (0) 2323 9266 0
 Fax + 49 (0) 2323 9266 25
 E-mail kendlik@stein-ht.de
 Address Schnittstr. 6
 44653 Herne | Germany

Grab - body [kg]	8.580			
Guide rail for grab body 800 mm [kg]	1.690			
Extension 800 - 914 mm [kg]	1.930			
Extension 800 - 1000 mm [kg]	2.100			
Extension 800 - 1200 mm [kg]	2.520			
Extension 800 - 1500 mm [kg]	3.200			
Light extension 800 - 1500 mm [kg]	350			
Jaws opening [mm]	2800			
Jaws width [mm]	800	1000	1200	1500
Jaws weight [kg]	1.950	2.650	3.200	4.100
Overall weights minimal [kg]	12.220	13.330	14.300	14.720
Overall weights maximal [kg]

Documentation: technical specification, instruction sheet, maintenance manual, sheaving diagram, spare-parts list, safety instructions.