

STEIN - Bentonite suspension tanks

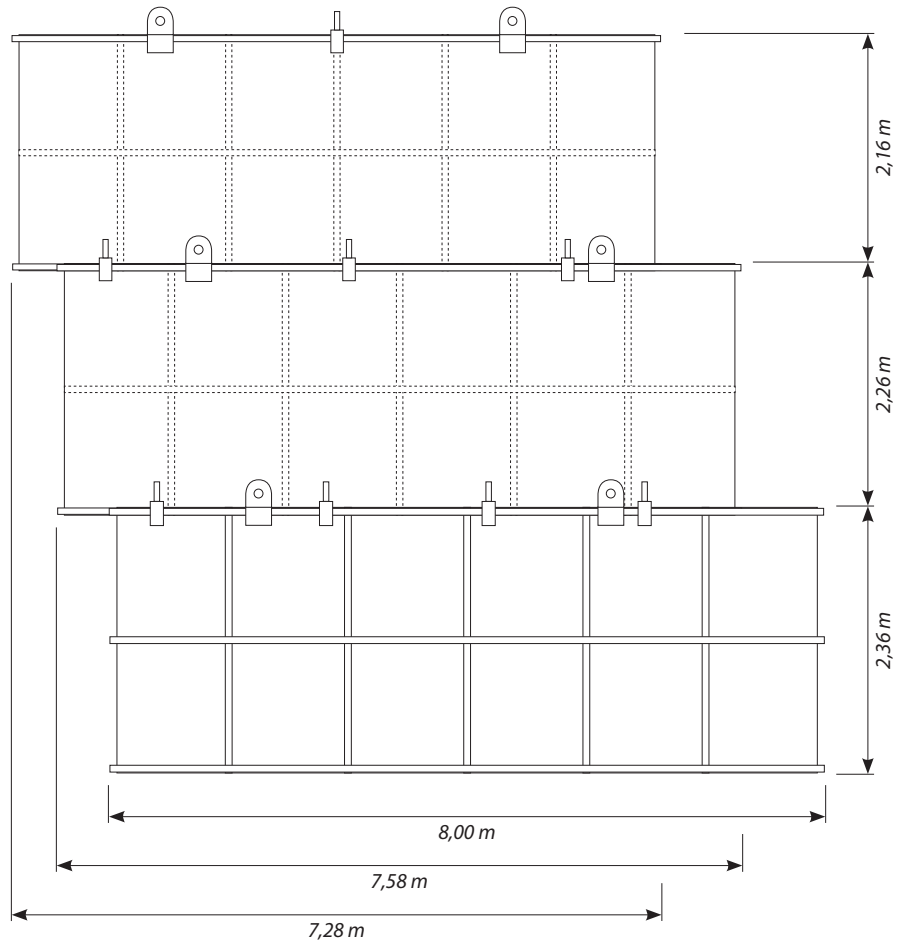
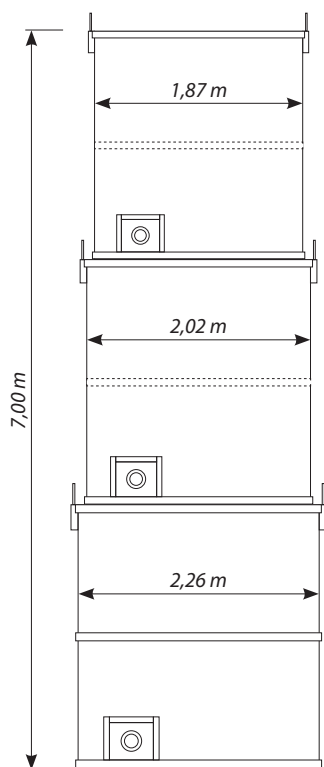
Stackable by means of traverse steel beams – 1 set contains 3 pieces



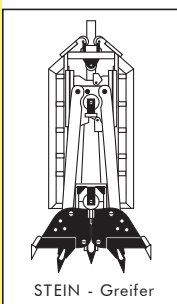
Steel tanks for the storage of liquids. The tanks are open on the top end side. Each tank is equipped with a 4" quick clutch outlet. For stacking purposes each set is delivered with eight traverse steel beams.

Colour: RAL 1007

Documentation: assembly instructions, service manual, safety regulations.



Tank (from bottom to top)	I	II	III
Dimensions l/w/h [m]	8,00 / 2,26 / 2,36	7,58 / 2,02 / 2,26	7,28 / 1,87 / 2,16
Content [m ³]	38,00	32,50	27,60
Weight [kg]	4.000	3.800	3.600
Traverse steel beams [kg]	840		
Total weight [kg]	12.240		



MFS Maschinenfabrik GmbH & Co KG

Sale

Phone + 49 (0) 4421 1434 0
 Fax + 49 (0) 4421 3034 81
 E-mail info@mfs-mafa.de
 Address Langeoogstr. 13
 26384 Wilhelmshaven | Germany

Production

Phone + 49 (0) 2323 9266 0
 Fax + 49 (0) 2323 9266 25
 E-mail kendlik@stein-ht.de
 Address Schnittstr. 6
 44653 Herne | Germany